



C14-M-307

4255

BOARD DIPLOMA EXAMINATION, (C-14)
OCT/NOV—2017
DME—THIRD SEMESTER EXAMINATION
MACHINE DRAWING PRACTICE

Time : 3 hours]

[Total Marks : 60

PART—A

5×4=20

Instructions : (1) Answer **all** questions.

(2) Each question carries **five** marks.

(3) All dimensions are in mm. Choose suitable scale.

1. Sketch the following special nuts with standard proportions :

(a) Cap nut

(b) Square nut

2. Draw a single riveted, double strap butt joint, connecting two plates of 8 mm thick.

3. Draw the following pipe fitting symbols (single line) :

(a) Globe valve

(b) Check valve

(c) Cap

(d) Plug

(e) Reducer

4. Draw the symbols of the following welded joints :

- (a) Fillet weld
- (b) Plug weld
- (c) Spot weld
- (d) Concave fillet weld
- (e) Seam weld

PART—B

40

Instructions : (1) Answer *any one* question.

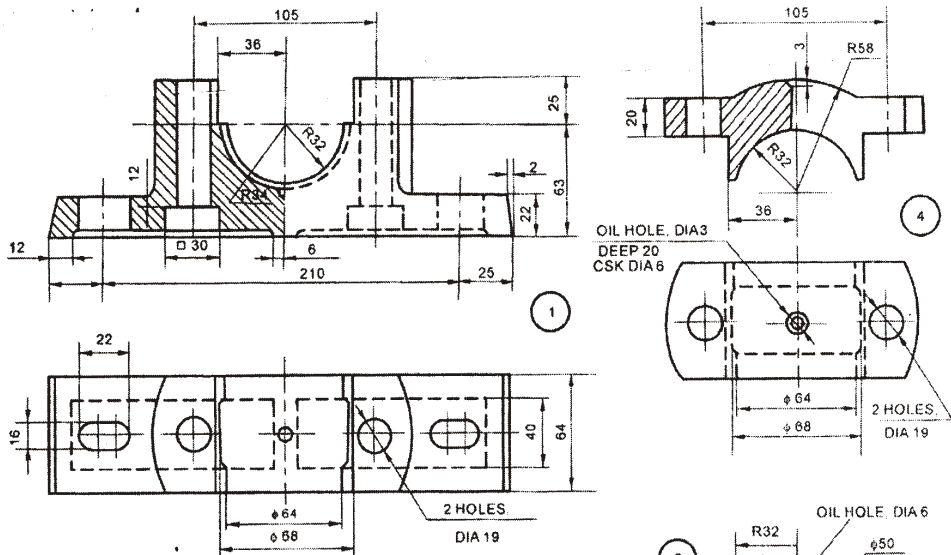
(2) Each question carries **forty** marks.

(3) All dimensions are in mm. Choose suitable scale.

5. Assemble the parts of plummer block shown in the figure
(Page 3)

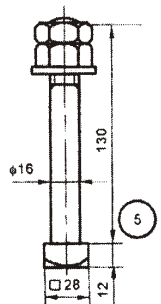
Draw the following views :

- (a) Half-sectional front view 20
- (b) Top view 15
- (c) Dimensioning 5



Parts List

No.	Name	Material	Qty
1	Base	CI	1
2	Bearing Brass	Bronze	1
3	Bearing Brass	Bronze	1
4	Cap	CI	1
5	Bolt with Nuts	MS	2

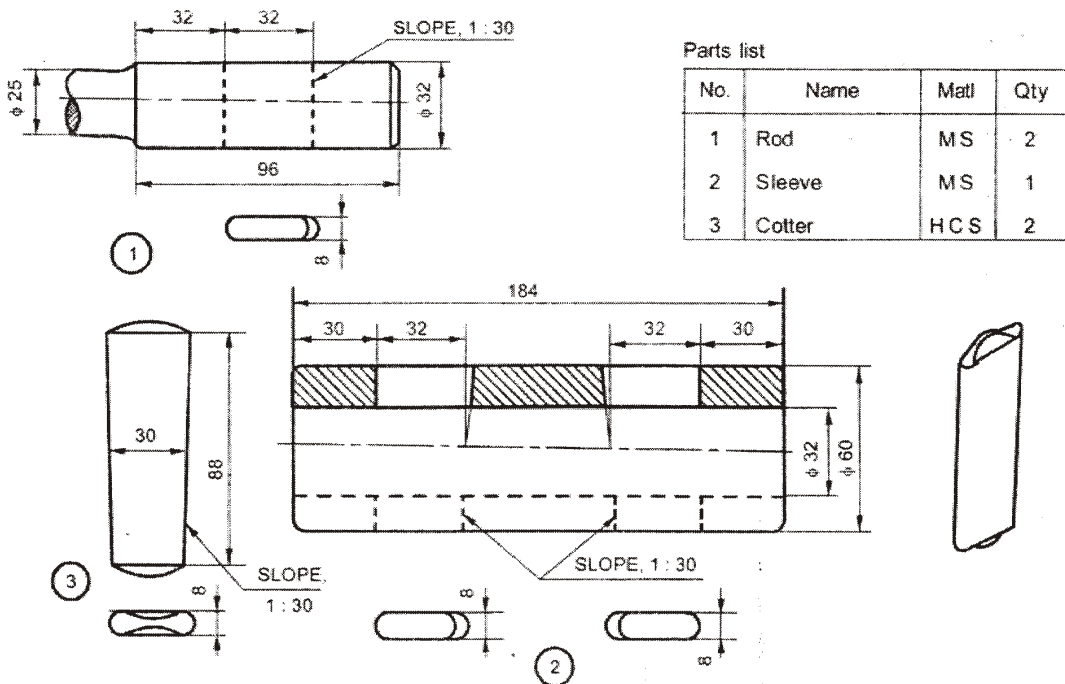


Plummer block

Plummer block

6. The details of cotter joint with sleeve are shown in the figure (Page 3). Assemble the parts and draw the following views :

- (a) Half-sectional front view 20
- (b) Top view 15
- (c) Dimensioning 5



Cotter joint with sleeve
