



C14-EE/CHPP-107

4044

**BOARD DIPLOMA EXAMINATION, (C-14)**  
**MARCH/APRIL—2017**  
**DEEE—FIRST YEAR EXAMINATION**  
**ENGINEERING DRAWING**

Time : 3 hours ]

[ Total Marks : 60

**PART—A**

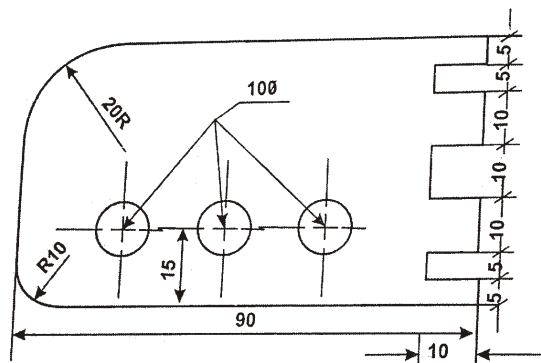
5×4=20

- Instructions :** (1) Answer **all** questions.  
(2) Each question carries **five** marks.  
(3) All dimensions are in mm.

1. Print the following in single-stroke capital upright vertical letters in 10 mm size :

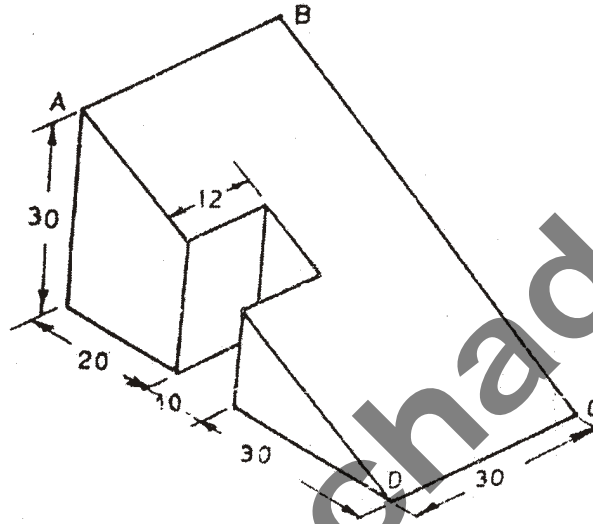
TECHNICAL EDUCATION

2. Redraw the given figure to full scale, dimension it as per SP : 46-1988 :



3. Divide the straight line of length 70 mm into nine equal parts.

4. Draw the auxiliary view of the inclined surface :



**PART—B**

10×4=40

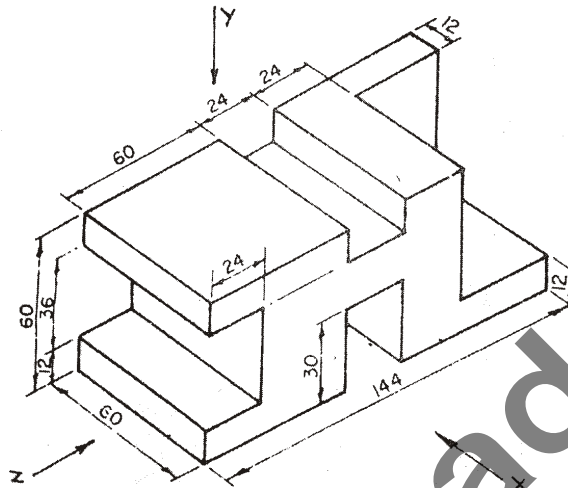
**Instructions :** (1) Answer any **four** questions.  
(2) Each question carries **ten** marks.

5. Construct a parabola whose focus is at a distance of 60 mm from the directrix.

6. A hexagonal pyramid side of base 30 mm and height 60 mm rests with its base on HP such that one of the edges of the base is parallel to and 10 mm in front of VP. Draw its projections.

7. Draw the following views by considering the object in the direction of X :

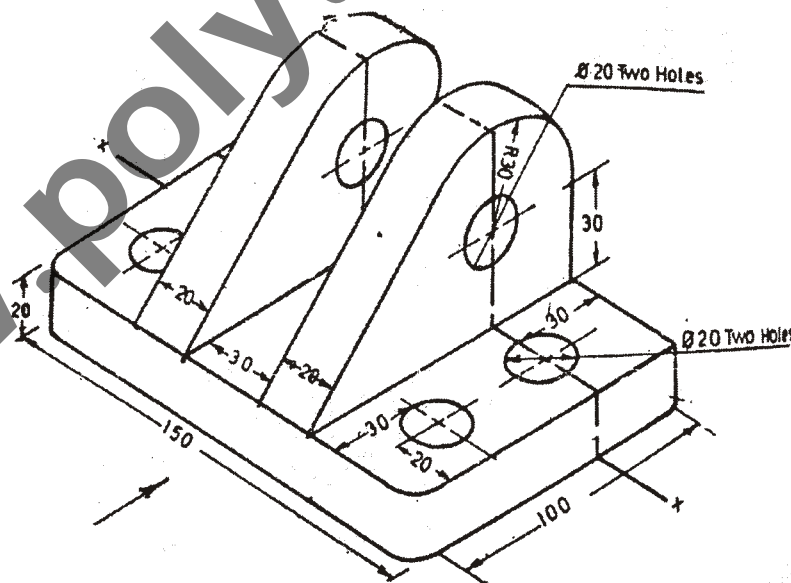
(a) Front view, (b) Left-hand side view, (c) Top view



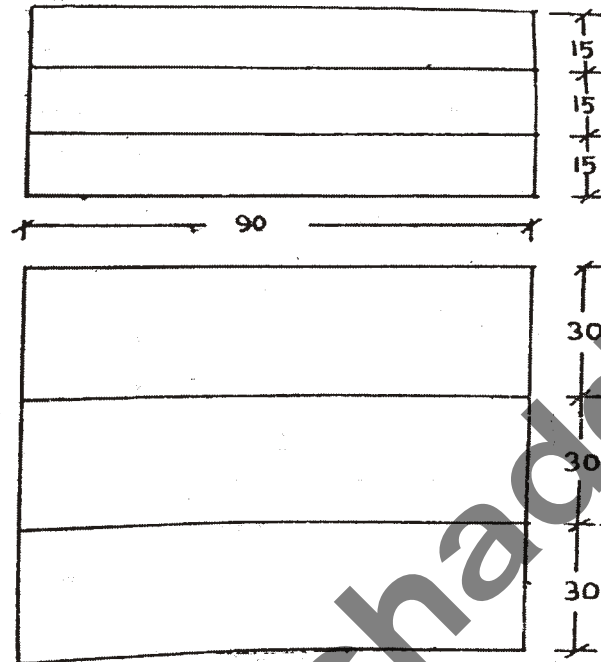
8. Draw the following view for the strut bracket :

(a) Sectional front view along cutting line xx

(b) Top view



9. Draw the isometric view of steps, two views are shown in figure below :



10. A hexagonal prism of side of base 20 mm and height 50 mm is standing vertically on HP with its one of rectangular faces parallel to VP. It is cut by a plane which is inclined at  $45^\circ$  to HP, perpendicular to VP and passing through one of the top corners of the prism. Develop the lateral path of the cut prism.

\*\*\*