



C14-A/AEI/BM/CHST/C/CM/EC/EE/CH/CHPP/CHPC/
CHOT/PET/M/RAC/MET/MNG/IT/TT/PCT-107

4005

BOARD DIPLOMA EXAMINATION, (C-14)

OCT/NOV—2017

FIRST YEAR (COMMON) EXAMINATION

ENGINEERING DRAWING

Time : 3 hours]

[Total Marks : 60

PART—A

5×4=20

Instructions : (1) Answer **all** questions.

(2) Each question carries **five** marks.

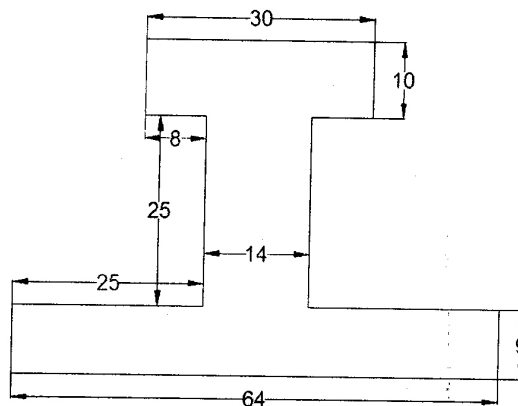
(3) Take suitable scale wherever required.

(4) All dimensions are in mm.

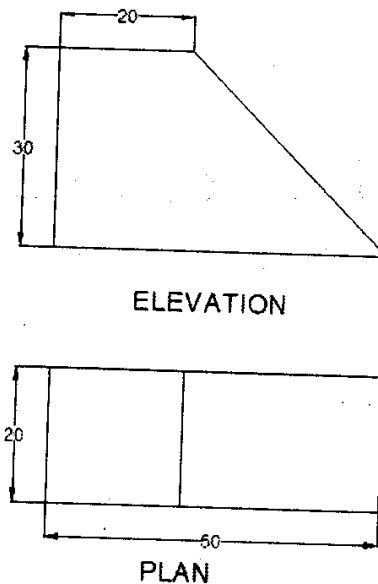
1. Write the following in single-stroke vertical letters of 10 mm size :

“GEOGRAPHICAL INFORMATION SYSTEM”

2. Redraw the following figure and dimension it by aligned system :



3. Construct a regular hexagon of side 30 mm by general method.
4. Draw the auxiliary view for the inclined surface of the object whose orthographic views are given below :



PART—B

10×4=40

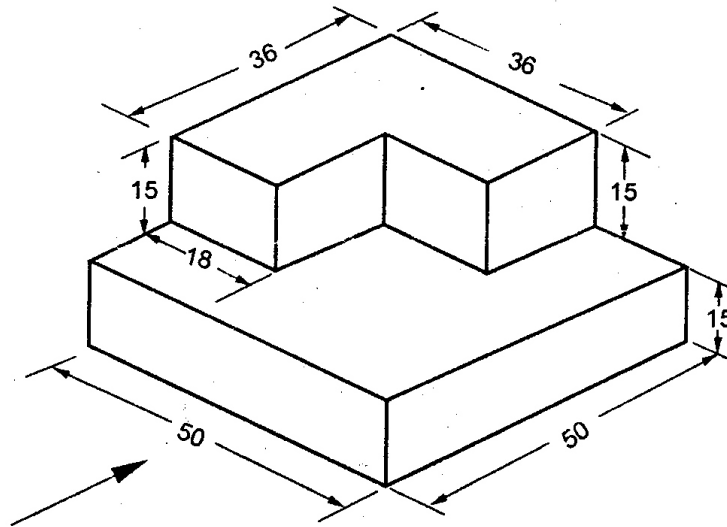
Instructions : (1) Answer *any four* questions.

(2) Each question carries **ten** marks.

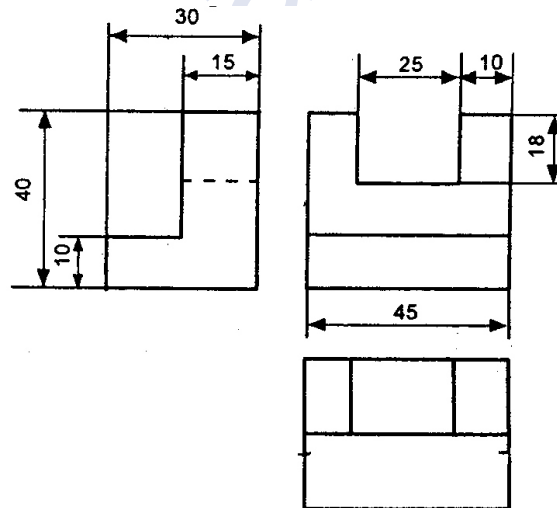
(3) All dimensions are in mm.

5. Construct an ellipse by concentric circles method with major axis 90 mm and minor axis 60 mm.
6. Draw the projection of a regular hexagon of 50 mm side, having one of its sides in the HP and perpendicular to the VP and its surface making an angle of 45° to the HP.
7. A cone of diameter 50 mm and height 60 mm is resting on the ground on its base. It is cut by a section plane perpendicular to VP, inclined at 45° to HP and cutting the axis at a point 40 mm from bottom. Draw the front view, sectional top view and true shape of the section.

8. Draw the front view, top view and side view of the object shown below :



9. Draw the isometric view of the ribbed angle plate, shown below. All dimensions are in mm and the views are given in first angle :



10. A hexagonal prism of base side 30 mm and height 65 mm is resting on the ground with one of its base edges parallel to VP and is cut by a plane making 60° to HP and passing through the axis at a height of 40 mm from base. Develop the lateral surface of the prism when its truncated portion is removed.
